


# Flow Meter

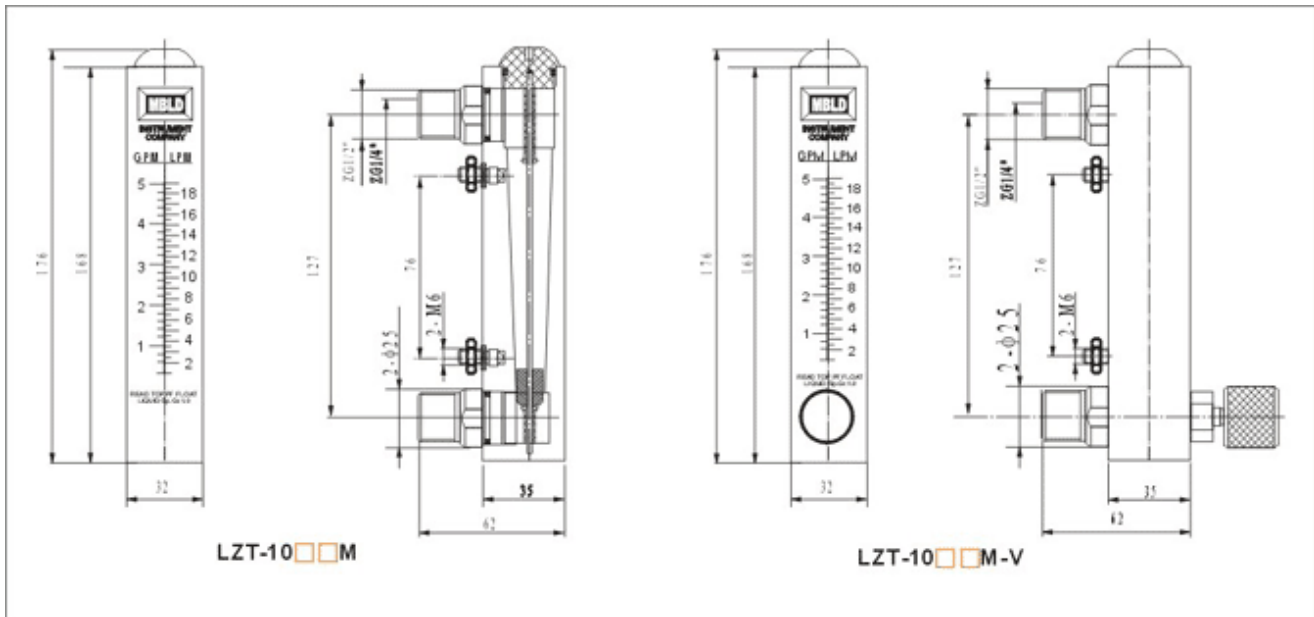


The LZT-series offer a line of direct reading precision flow meters. Constructed to assure accuracy, these flow meters are molded of tough poly carbonate plastic. Flow meters are easy to read, clean and install. They are calibrated to indicate both GPM and LPM, with two mounting styles available: panel mount and in-line mount, which gives user's the flexibility in configuring the application and keeping long term service.

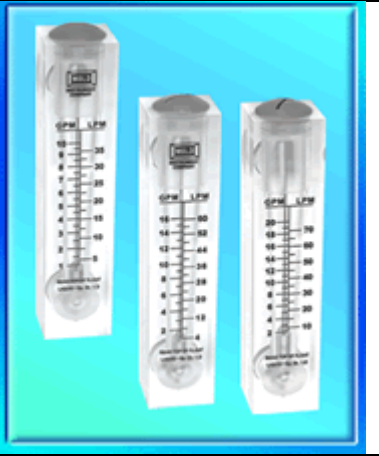
Normal flowrate range (flow water)	GPM	0.1~1	0.2~2	1~5	1~10	2~16	2~20	4~40	6~60	10~100	50~150
	LPM	0.5~4	1~7	2~18	5~35	4~60	10~70	15~150	25~250	50~350	190~550
Accuracy	±4%FS										
Repeatability	±0.25%FS										
Rangeability	10:1	10:1	5:1(10:1)	10:1	8:1	10:1	10:1	10:1	10:1	10:1	10:1
Maximum pressure	1MPa/150psig										
Maximum temperature	80°C/176° F										
Body material	PMMA(Lucite)										
Float material	316L(Stainless steel)										
Guide rod material	316L(Stainless steel)										
Fastening screw material	H62(Copper)										
Tube connection material	ABS (Nonpoisonous),(Can be made of stainless steel or copper chromium)										
Upper and lower adapter bearing	F46										
O Shape sealing ring	Silicon rubber 硅橡胶										

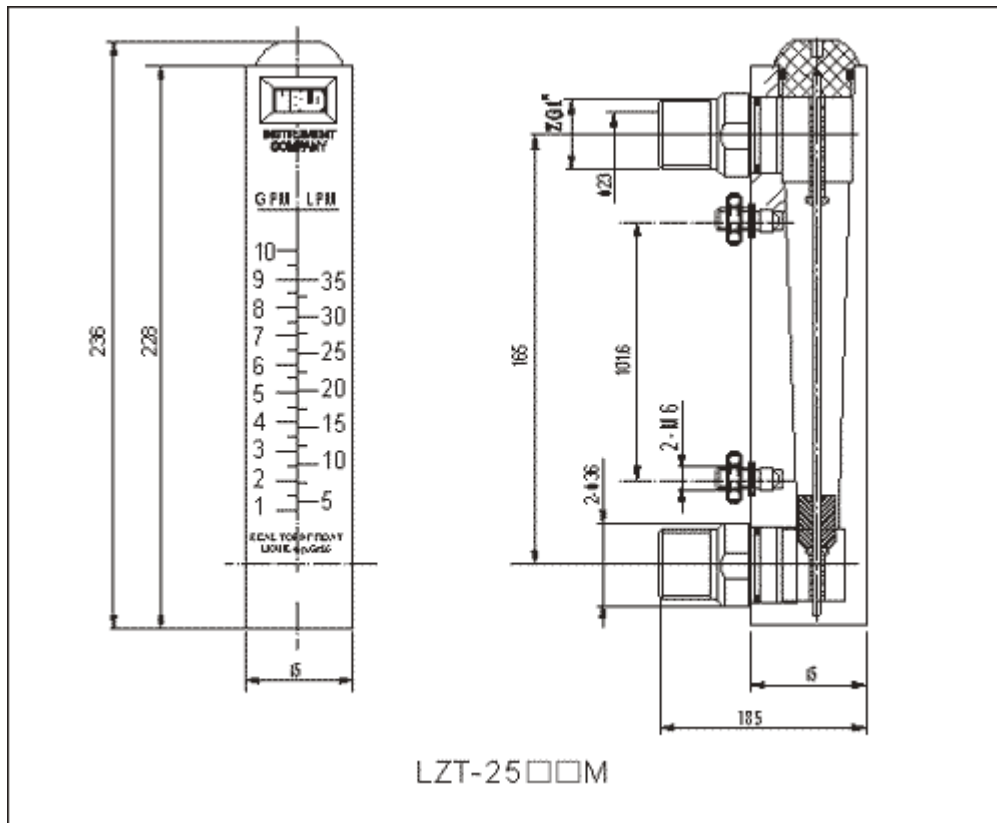
## LZT-10 Panel Mount Flow Meter

Model	Specification		Medium	Remarks	Picture
LZT-1001M	0.1~1GPM	0.5~4LPM	Water	Without Valve	
LZT-1002M	0.2~2GPM	1~7LPM		With Valve	
LZT-1005M	0.5~5GPM	2~18LPM			
LZT-1001M-V	0.1~1GPM	0.5~4LPM			
LZT-1002M-V	0.2~2GPM	1~7LPM			
LZT-1005M-V	0.5~5GPM	2~18LPM			
LZT-10A04M	0.4~4SCFM	12~120LPM	Air	Without Valve	
LZT-10A08M	0.8~8SCFM	24~240LPM			
LZT-10A16M	1.6~16SCFM	48~480LPM			
LZT-10A24M	2.4~24SCFM	72~720LPM			
LZT-10A04M-V	0.4~4SCFM	12~120LPM		With Valve	
LZT-10A08M-V	0.8~8SCFM	24~240LPM			
LZT-10A16M-V	1.6~16SCFM	48~480LPM			
LZT-10A24M-V	2.4~24SCFM	72~720LPM			

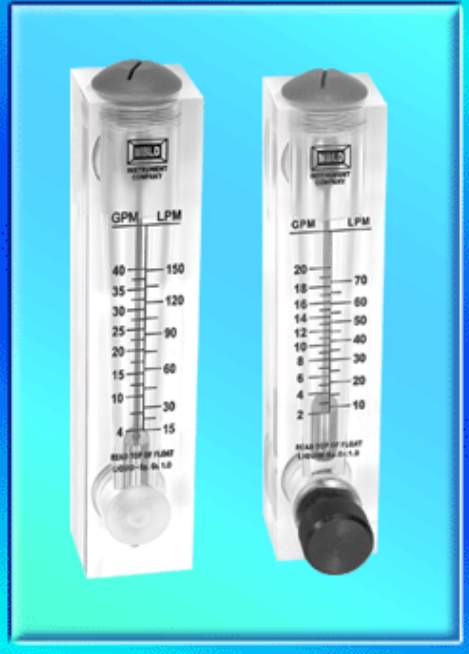


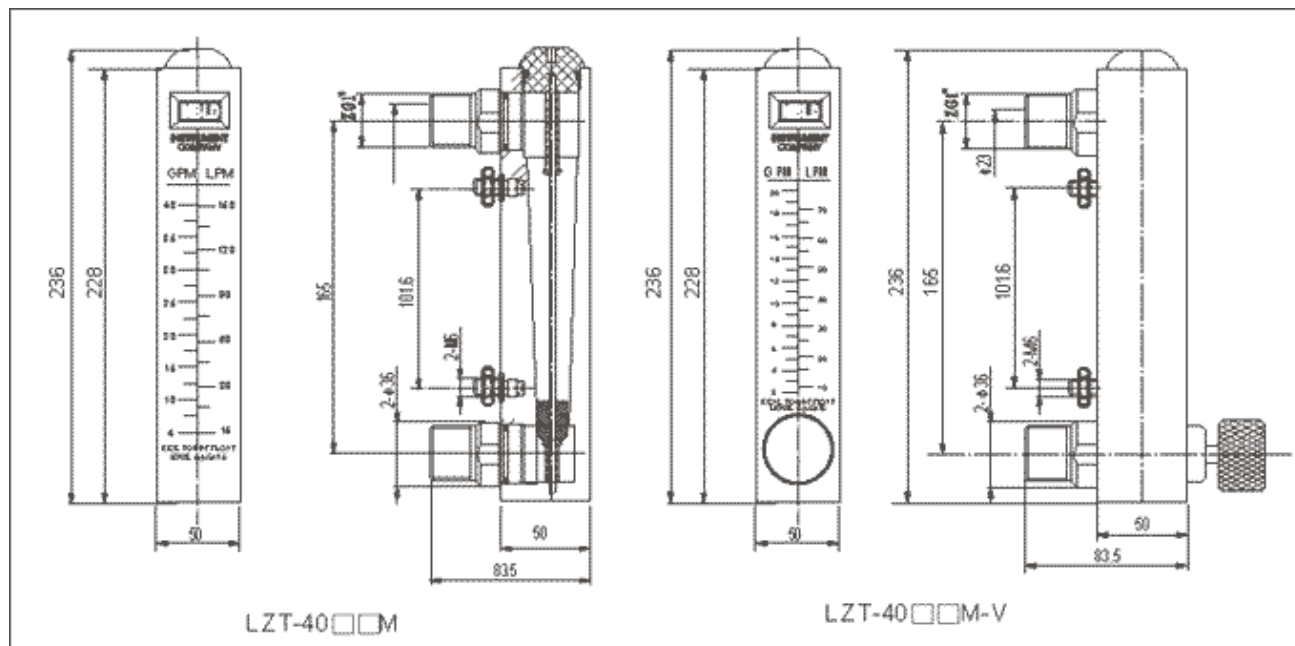
## LZT-25 Panel Mount Flow Meter

Model	Specification		Medium	Remarks	Picture
LZT-2510M	1~10 GPM	5~35LPM	Water	Without Valve	
LZT-2516M	2~16 GPM	4~60LPM			
LZT-2520M	2~20 GPM	10~70LPM			
LZT-25A40M	4~40 SCFM	7~70m3/h	Air		
LZT-25A60M	6~60 SCFM	10~100m3/h			




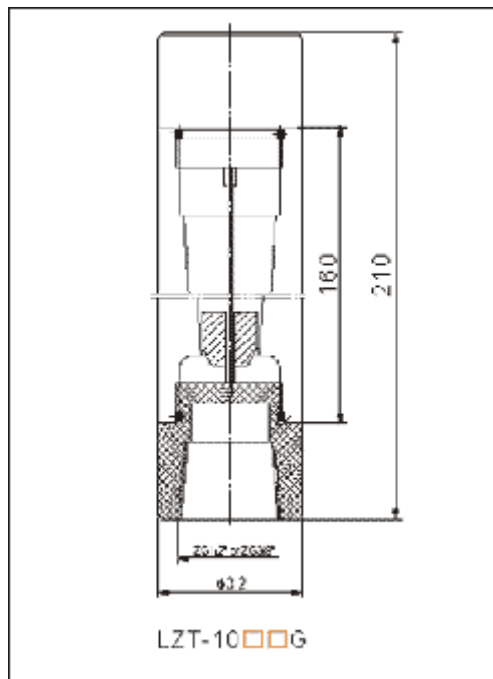
## LZT-40 Panel Mount Flow Meter

Model	Specification		Medium	Remarks	Picture
LZT-4035M	4~35 GPM	12~120LP M	Water	Without Valve	
LZT-4040M	4~40 GPM	15~150LP M			
LZT-4010M-V	1~10 GPM	5~35LPM	Air	With Valve	
LZT-4016M-V	2~16 GPM	4~60LPM			
LZT-4020M-V	2~20 GPM	10~70LPM			




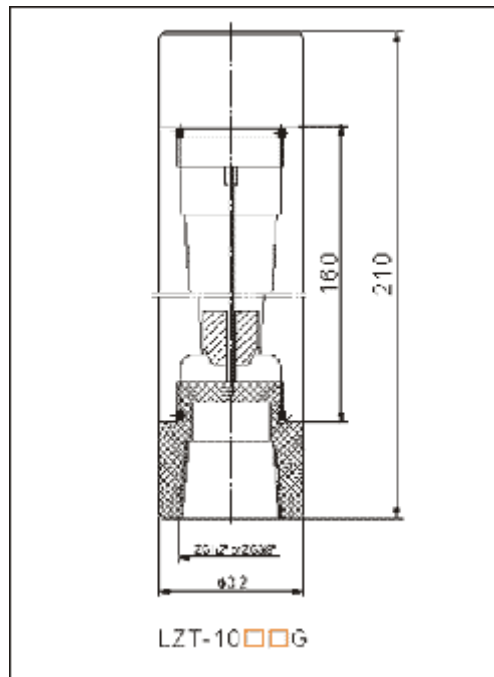
## LZT-10 In-line Mount Flow Meter

Model	Specification		Medium	Remarks	Picture
LZT-1001G	0.1~1 GPM	0.5~4LPM	Water	Without Valve	
LZT-1002G	0.2~2 GPM	1~7LPM			
LZT-1005 G	0.5~5 GPM	2~18LPM			




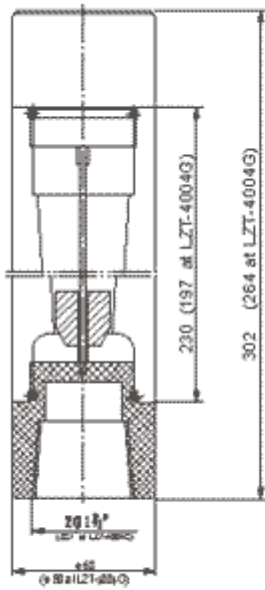
## LZT-25 In-line Mount Flow Meter

Model	Specification		Medium	Remarks	Picture
LZT-2510G	1~10 GPM	5~35LPM	Water	Circular	
LZT-2516G	2~16 GPM	4~60LPM			
LZT-2520G	2~20 GPM	10~70LPM			
LZT-2510G-S	1~10 GPM	5~35LPM		Square	
LZT-2516G-S	2~16 GPM	4~60LPM			
LZT-2520G-S	2~20 GPM	10~70LPM			

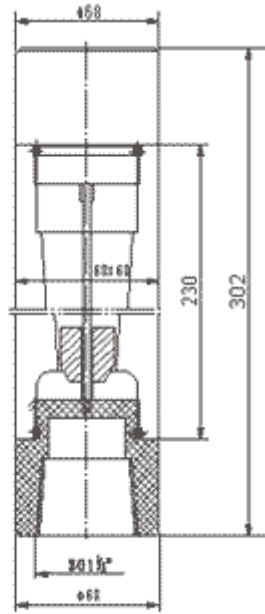


## LZT-40 In-line Mount Flow Meter

Model	Specification		Medium	Remarks	Picture
LZT-4004G	4~40 GPM	15~150LPM	Water	Circular	
LZT-4006G	6~60 GPM	25~250LPM			
LZT-4008G	8~80GPM	30~300LPM			
LZT-4010G	10~100 GPM	50~350LPM			
LZT-4004G-S	4~40 GPM	15~150LPM		Square	
LZT-4006G-S	6~60 GPM	25~250LPM			
LZT-4008G-S	8~80GPM	30~300LPM			
LZT-4010G-S	10~100 GPM	50~350LPM			




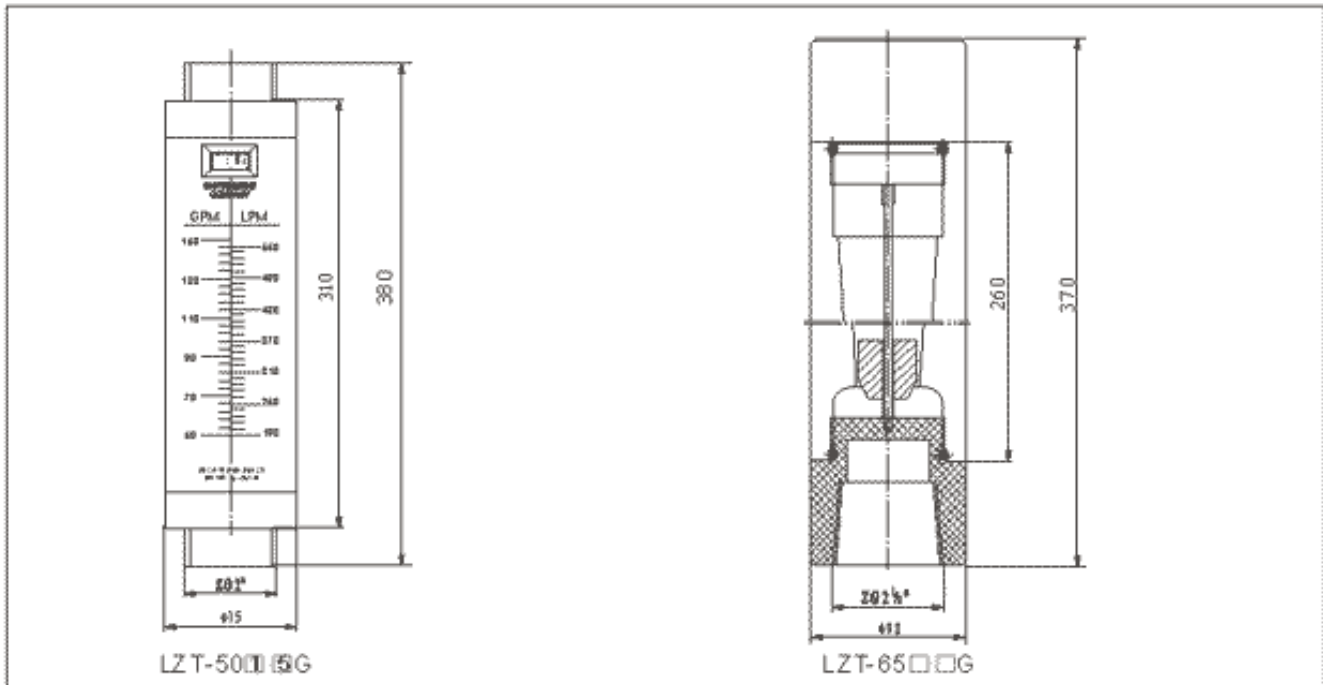
LZT-40□□G



LZT-40□□G-S


## LZT-65 In-line Mount Flow Meter

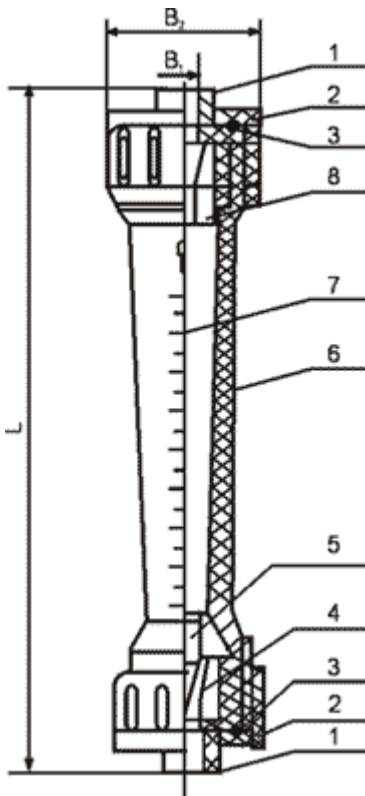
Model	Specification		Medium	Remarks	Picture
LZT-5015G	50~150GPM	190~550LPM	Water	Circular	
LZT-6520G	40~200GPM	150~700LPM			





## LZT-S In-line Mount Flow Meter

Model	Specification	Medium	Remarks	Picture
LZT-15S16	16~160l/h	Water	Without Guide rod	
LZT-15S25	25~250l/h			
LZT-15S40	40~400l/h			
LZT-15S60	60~600l/h			
LZT-25S16	160~1600l/h	Water	With Guide Rod	
LZT-25S25	250~2500l/h			
LZT-32S04	0.4~4m3/h			
LZT-32S06	0.6~6m3/h			
LZT-50S10	1~10m3/h			
LZT-50S16	1.6~16m3/h			
LZT-65S25	5~25m3/h			
LZT-65S40	8~40m3/h			
LZT-65S60	12~60m3/h			



Caliber mm	Dimensions (mm)		
	L	B1	B2
15	280	φ20	φ 45
25	380	φ32	φ68
32	288	φ40	φ74
50	341	φ63	φ98
65	430	φ75	φ122

1. Connection tube
2. Nut
3. O -ring
4. Bottom stop shaft
5. Floater
6. Cone tube
7. Scale
8. Top stop shaft

Remark: 1) Material for upper and lower connection tube: ABS  
 2) Different material to be offered per customer's request